

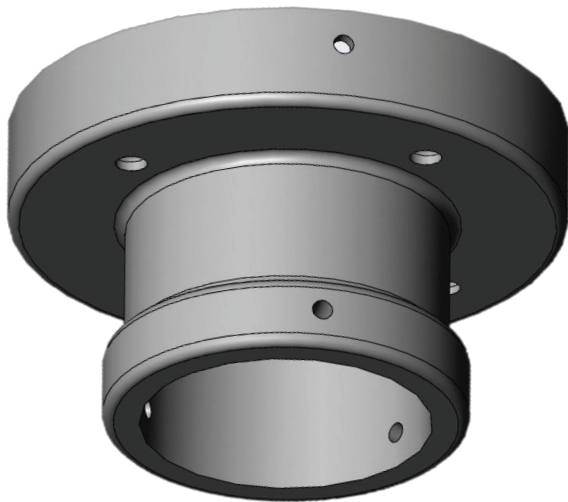
Belisha Beacon Gallery

76mm post top mounting for beacon and LED

Our best selling Belisha Beacon gallery, the Single piece die cast aluminum gallery is the Ideal choice for new installs or refurbishment Of existing beacons. Quick and easy to install, Our modern design is built to last while Keeping to the traditional beacon crossing look.



 **Manufactured in the UK** 



- Single piece die cast aluminum
- Easy to install
- Secures to a 76mm post with 3 x stainless steel M6 bolts
- Globe is secured to the gallery with 3 x stainless steel bolts
- Designed to fit our LED3PW and our **New LEDMAX Super Bright LED**

M6 stainless steel button head Beacon locking bolt.

Protective rim to prevent any ingress of Water into LED module.

Drainage holes to help with the Ingress of water or condensation.

M6 stainless steel button head Post locking bolt - thicker tapped Material for reinforcement.

